



SAAM

System Automation And Management



Total System Integration



Feedback & Alerts



Data Trending



Secure Remote Access

*Built with standardized industrial hardware & protocols, DODRMF & TLS Protocol

System Integration

A single IoT control platform for all mechanical and electrical equipment, including real-time sensors, allows you to control and monitor your entire operation. Every major component is programmed to interface with our control system.

Features

Remote Access, Data Collection & Trending, Feedback & Alerts (Mechanical and Environment), Programmed Fail Safe Modes, Utility Usage Reports.

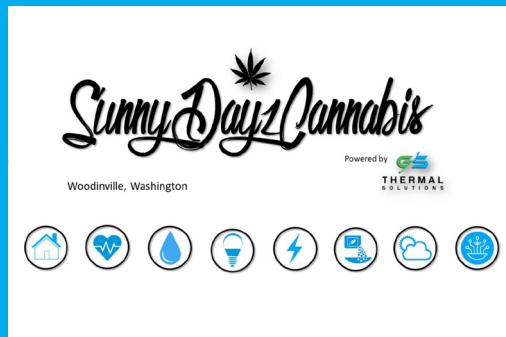
Grow Room Control

Cannabis specific algorithms designed to regulate and maintain your specific grow environment parameters, such as: Vapor Pressure Deficit (VPD), Light Spectrum Control, Light Recipe & Timing Schedule, Ambient Temperature, RH & CO2, and Nutrient Control.

User Interface

Standard Control Dashboards: Homepage System Health, Central Plant, Light, Utility, Fertigation, Traceability, Security, Manufacturing, Admin.

Customized Dashboard

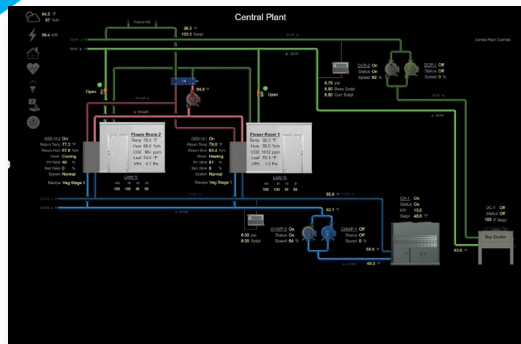


System Health Page



Quickly analyze the grow environment

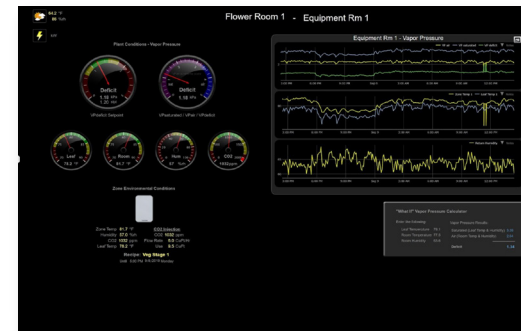
Central Plant View



Seamless viewing of your entire grow operation in real-time

Mechanical, electrical, & plumbing assets

Grow Room View



Designate all of your cultivation set points through a single platform

Manage VPD, Leaf Temp, Room Temp, Humidity, Co2

The GS SAAM control platform allows the cultivator to “Set-it & Forget it” – Enter desired Set Points and the GS System will automatically run to hit and then maintain each set point.